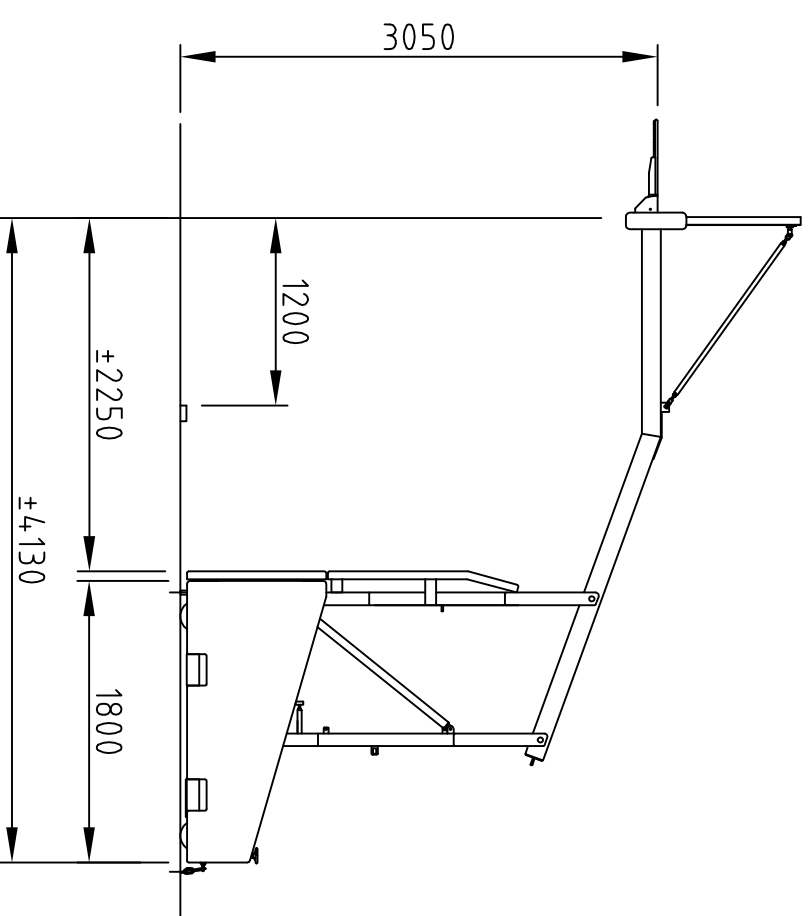
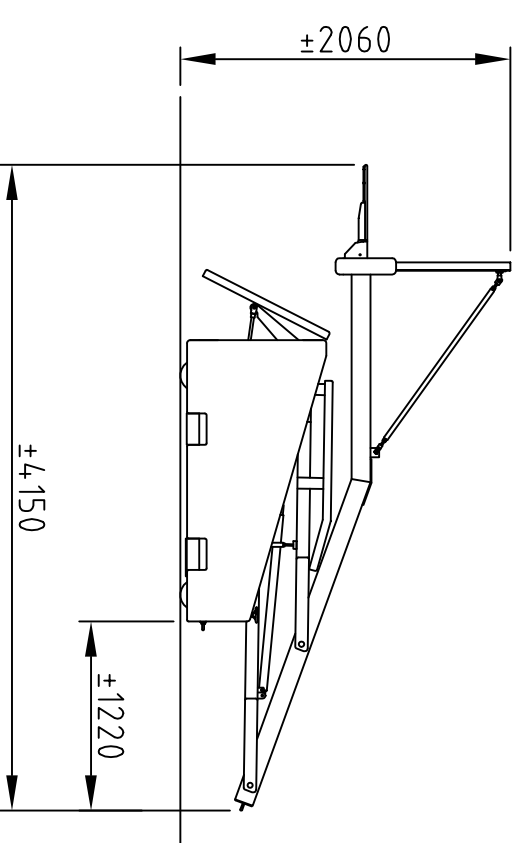


Front view




Side view



Storage position

DIMENSIONS IN MM

TOLERANCES ACCORDING NEN-EN-ISO 1101

Units: mm		Name: SAM 225 Club		Drawing n°: 06240105-V		Rev.: 00	
Drawn: ADB	Date: 17-12-'10			Scale: 1:50	Size: A3		
Checked:	Date:						
 <b>Schelde Sports B.V.</b> PO box 21, 4460 AA Goes Tel: +31(0) 113 315 100. E: i@emschelde.sports.nl Olympielaan 2, 4462 GG Goes Fax: +31(0) 113 315 110 I: www.schelde.sports.nl				This drawing is owned by Schelde Sports B.V. and may not be reproduced or copied for be made available to third parties without written permission.			